

PANEL CUTOUT
MAX. PANEL THICKNESS 10mm

SWITCH FUNCTION	
POS. 1	POS. 2
1-2 5-6	(3-4) (7-8)

(ON) = MOMENTARY

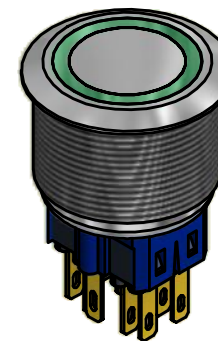
ACTUATOR FINISH:
STAINLESS STEEL

28.00
[1.102 in]

19.80
[.780 in]

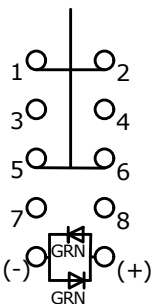
RING ILLUMINATION
GREEN

15.50
[.610 in]



BODY FINISH:
STAINLESS STEEL

M25x1.0

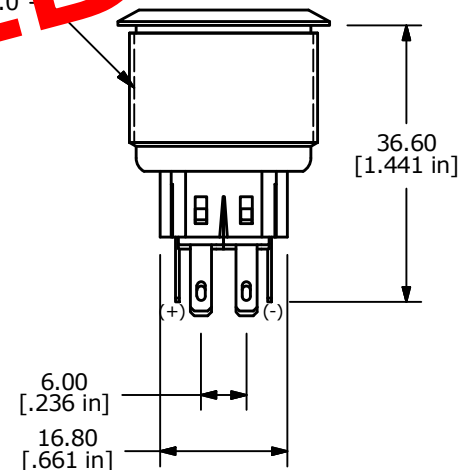
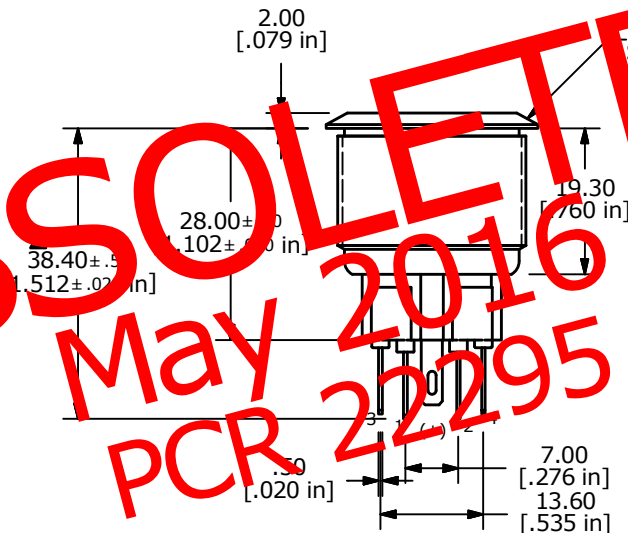


DPDT
CONTACT CONFIGURATION

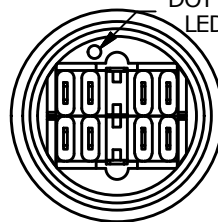
NOTE:

1. ALL DIMENSIONS IN MM [INCH]
2. GENERAL TOLERANCE: X.X = ± 0.4
X.XX = ± 0.25
3. TERMINAL NOS. FOR REF. ONLY
4. FUNCTION: SPDT
5. RATING: 2A @ 48VDC
6. ILLUMINATION VOLTAGE: 2.8V FORWARD, 2.8V REVERSE
7. CONTACT RESISTANCE: 50mΩ MAX. @ 1A 12VDC
8. INSULATION RESISTANCE: 1,000MΩ @ 500VDC
9. DIELECTRIC STRENGTH: 2,000VAC MIN. FOR 1 MINUTE
10. ELECTRICAL LIFE: 50,000 CYCLES
11. OPERATING TEMPERATURE: -20°C TO 55°C
12. INGRESS PROTECTION: IP65
13. SUPPLIED HARDWARE: O-RING AND HEXNUT
14. ▲ DENOTES CRITICAL PARAMETER
15. 2002/95/EC (ROHS) COMPLIANT
- ▲16. ILLUMINATION COLOR: GREEN (FORWARD), GREEN (REVERSE)
- ▲17. CONTACT PLATING: GOLD

OBSOLETE
May 2016
PCR 22295



DOT DENOTES
LED COLOR



TITLE PV8F2V0SSG-331				
SCALE	DATE 2/26/2014	DR EBP	DWG 52-PV8F2V0SSG331	REV A

A	21386	RELEASE FOR PRODUCTION	2/26/14	EBP
REV	PCR NO	DESCRIPTION	DATE	BY

THE INFORMATION CONTAINED IN THIS DOCUMENT IS PROPRIETARY TO E-SWITCH AND IS NOT TO BE COPIED OR TRANSFERRED